



WASHWARE ESSENTIALS LTD

Stainless Steel Combined Drinking Fountain With Bottle Filler

Product Code WH-DFBF-WRAS

Stainless steel wall mounted drinking fountain with bottle filler spout. WRAS approved drinking water bubbler (tap) and WRAS approved swan neck bottle filler. WRAS is the Water Regulations Advisory Scheme and the water bubbler (tap) and bottle filler has been tested and approved to meet these requirements.

Material

The combined drinking fountain and bottle filler is manufactured from 1.6mm thick satin polished stainless steel for durability and vandal resistance.

Design

The drinking fountain / bottle filler has a radius front edge design to eliminate sharp corners and edges which makes it suitable for use in school and public buildings. The unit incorporates an integral wall fixing bracket which allows the drinking fountain to be easily installed at adult or junior height.

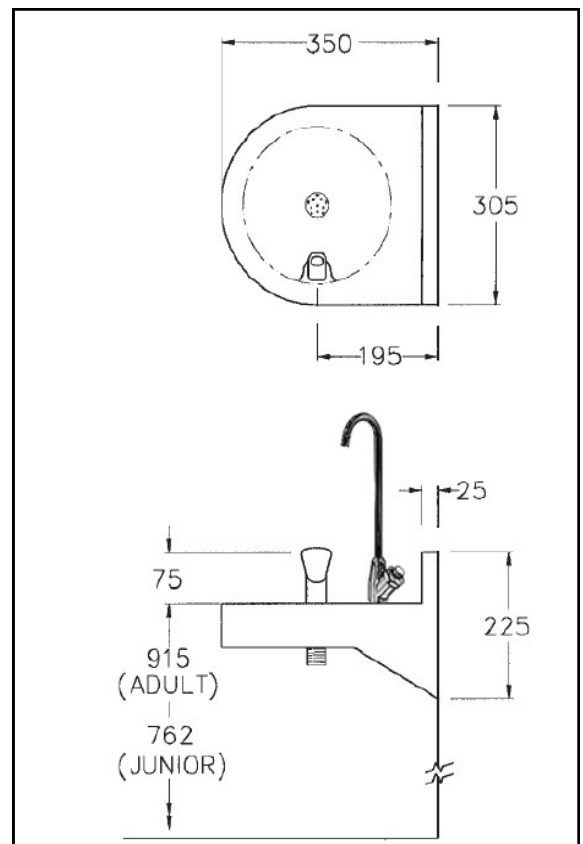
Fittings

The combined drinking fountain with bottle filler comes complete with integral wall fixing brackets, 32mm flush grated waste fitting, WRAS approved chrome plated bubbler valve and WRAS approved press button swan neck bottle filler.

Options

32mm plastic bottle trap

32mm chrome plated bottle trap with waste pipe and wall flange.



WASHWARE
ESSENTIALS LTD

Kestrel Court
Harbour Road
Portishead
Bristol
BS20 7AN

Phone: 01275 390603

Web: www.washwareessentials.co.uk

E-mail: enquiries@washwareessentials.co.uk

[Click here to visit Washware Essentials website](http://www.washwareessentials.co.uk)

EVERYTHING YOU NEED TO FIT
OUT A COMMERCIAL WASH ROOM
SUPPLIED AT THE RIGHT PRICE ON
TIME