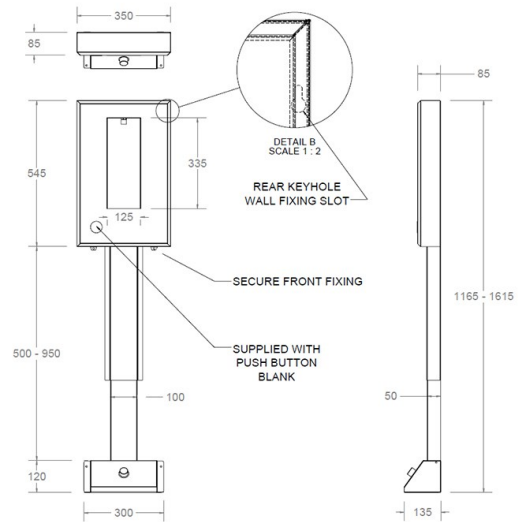


Foot Operated Wall Mounted Bottle Filler



Product Code: FOPBF

Waste Outlet:

The foot operated bottle filling station is supplied with a 32mm (1 1/4 in) BSP flush grated waste fitting with flexible outlet pipe. A standard 32mm water trap (not supplied) will be required between the waste outlet and the building's waste pipework.

Foot Operated Bottle Filling Valve:

The foot operated bottle filler is supplied with a WRAS approved chrome plated foot valve with on / off operation which is easily operated by either foot.

Pipework and Connections:

All interconnecting pipework and water fittings are WRAS approved to meet Water Regulations. The bottle filling valve is supplied with 15mm threaded inlet. The pipework between the bottle filler and foot plate is covered with a telescopic stainless steel shroud which is adjustable between 500mm and 950mm.

Options:

Wall mounted hand / forearm model is also available.