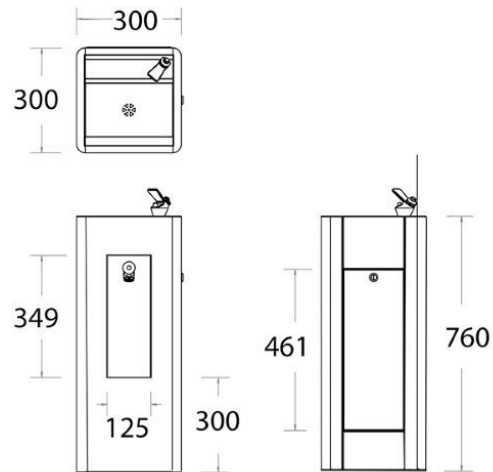


Foot Operated Drinking Fountain / Bottle Filler—Junior



Product Code: DFBF-FJ

Waste Outlets:

The foot operated drinking fountain and bottle filling station is supplied with two 32mm (1 1/4 in) BSP flush grated waste fittings with flexible outlet pipes. Both flexible waste pipes can be connected together with a supplied T piece and will require connection to the building's waste pipework. A standard 32mm water trap (not supplied) will be required between the waste outlet(s) and the building's waste pipework.

Bubbler & Foot Valve:

The drinking fountain is supplied with a WRAS approved chrome plated foot valve with on / off operation and a no touch WRAS approved chrome plated bubbler valve.

Bottle Filling Foot Valve and Outlet:

The bottle filling station is recessed into the front of the shroud and is sized to accept common 0.5, 0.75 and 1.0 litre bottles. Fitted into the top of the recess is a WRAS approved bottle filling outlet which is operated by a WRAS approved chrome plated foot valve.

Pipework and Connections:

All interconnecting pipework and water fittings are WRAS approved to meet Water Regulations. Both foot valves are supplied with 15mm compression inlet connections.

Options:

Adult height 900mm model also available.

WASHWARE ESSENTIALS LTD

Kestrel Court, Harbour Road, Portishead, Bristol BS20 7AN, Phone: 01275 390603
 Web: www.washwareessentials.co.uk E-mail: enquiries@washwareessentials.co.uk