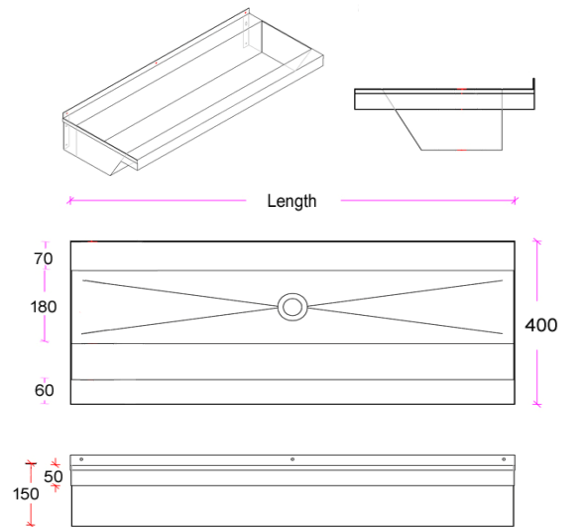


# Stock Wash Trough 400mm Projection

**Product Code WTS**



Stock stainless steel wall mounted hand washing troughs available in four standard sizes for next working day delivery.

**Material:**

Manufactured from 1.5mm thick grade 304 stainless steel with a satin polish finish.

**Length:**

The wash troughs are held in stock and available to order in four standard lengths: 1000, 1500, 2000, and 2500 mm long.

**Fixing:**

The stock wash troughs are supplied with integral wall fixing points at each end. The integral rear flange is pierced for screw fixing along the top edge. Optional stainless steel front support legs are available to order.

**Waste Outlet:**

Supplied with a centre 38 mm (1 1/2") BSP unslotted flush grated waste fitting (no overflow).

**Dimensions:**

400mm front to back.  
150mm deep with 25mm high rear flange.

**Tap Holes:**

The wash troughs are predrilled with a single 35mm tap holes per user:  
1000mm - 2 single tap holes.  
1500mm - 3 single tap holes.  
2000mm - 4 single tap holes.