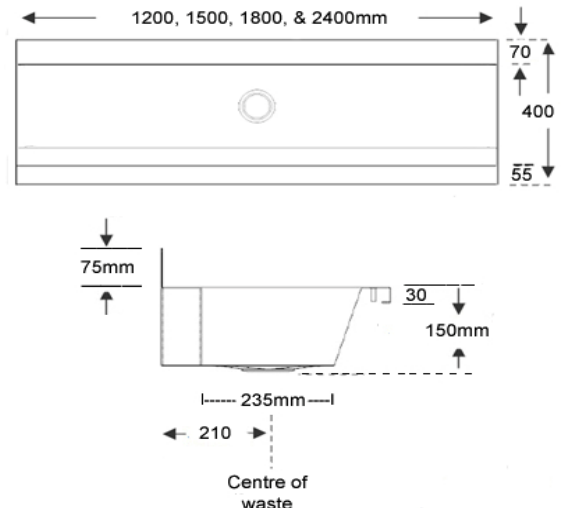


Stainless Steel Wash Trough

Product Code WTA



Shown with optional soft touch time flow taps



Material:

Manufactured from 1.6mm thick stainless steel with a satin polish finish.

Length:

The wash trough is available to order online and held in stock in four standard lengths: 1200, 1500, 1800, and 2400 mm.

Fixing:

The wash troughs come complete with integral stainless steel wall fixing brackets at each end. The integral splashback is pierced for screw fixing along the top edge. Optional stainless steel front support legs.

Waste Outlet:

The wash troughs are supplied with a centre 38 mm (1 1/2") BSP unslotted flush grated waste fitting.

Dimensions:

400mm front to back.
150mm deep with 75mm high integral splashback.

Tap Holes:

The wash troughs can be supplied with tap holes to suit your requirements. Please specify when ordering.

Optional Extras:

Stainless steel front support legs.
Taps, valves and spouts.