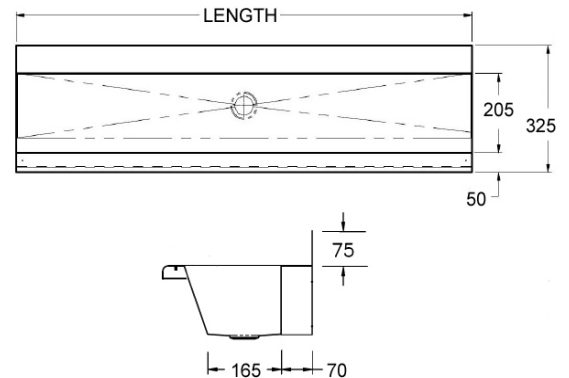


Stainless Steel Nursery Wash Trough

Product Code NWT



Shown with optional soft touch time flow taps



Stainless steel nursery wash troughs are manufactured with a short 325mm projection for ease of access to the taps, and have a rounded front edge and folded edges for safety. Manufactured from 1.6mm thick stainless steel with a satin finish.

Length:

The wash trough is available to order online in five standard lengths: 1200mm, 1500mm, 1800mm, 2100mm and 2400 mm. Other sizes are available on request.

Fixing:

The wash troughs come complete with integral stainless steel wall fixing brackets at each end. The rear upstand is pierced for screw fixing along the top edge. Optional stainless steel front support legs are available.

Waste Outlet:

The wash troughs are supplied with a centre 38 mm (1 1/2") BSP unslotted flush grated waste fitting.

Dimensions:

325mm front to back.
150mm deep with 75mm high rear upstand.

Tap Holes:

The wash troughs can be supplied with tap holes to suit your requirements. Please specify when ordering.

Optional Extras:

- Stainless steel front support legs.
- Taps, valves and spouts.
- Plastic 38mm bottle trap.
- Chrome plated 38mm bottle trap with waste pipe and wall flange.