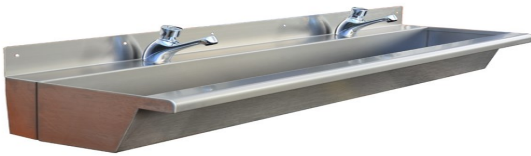
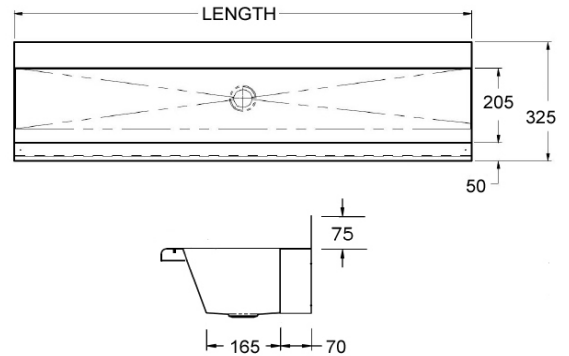


# Stainless Steel Compact Wash Trough

## Product Code CWT



Shown with optional soft touch time flow taps.



Compact wash troughs are manufactured with a short 325mm projection for ease of access to the taps, areas with limited access, and have a rounded front edge and folded edges for safety. Manufactured from 1.6mm thick stainless steel with a satin finish.

### Length:

The compact wash trough is available to order online in five lengths: 1200mm, 1500mm, 1800mm, 2100mm and 2400 mm. Other sizes are available on request.

### Fixing:

The wash troughs come complete with integral stainless steel wall fixing brackets at each end. The rear upstand is pierced for screw fixing along the top edge. Optional stainless steel front support legs are available.

### Waste Outlet:

The compact wash troughs are supplied with a centre 38 mm (1 1/2") BSP unslotted flush grated waste fitting.

### Dimensions:

325mm front to back.

150mm deep with 75mm high rear upstand.

### Tap Holes:

The compact wash troughs can be supplied with tap holes to suit your requirements. Please specify when ordering.

### Optional Extras:

Stainless steel front support legs.

Taps, valves and spouts.

Plastic 38mm bottle trap.

Chrome plated bottle trap with waste pipe and wall flange.

## WASHWARE ESSENTIALS LTD

Kestrel Court, Harbour Road, Portishead, Bristol BS20 7AN, Phone: 01275 390603

Web: [www.washwareessentials.co.uk](http://www.washwareessentials.co.uk) E-mail: [enquiries@washwareessentials.co.uk](mailto:enquiries@washwareessentials.co.uk)