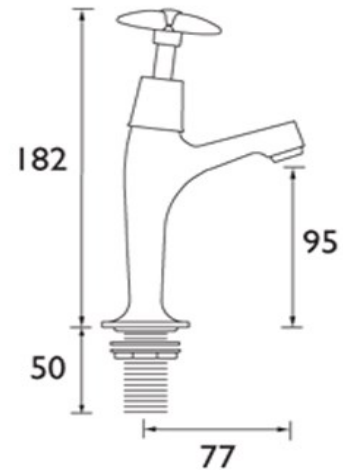


## Cross Head High Neck Sink Taps

Product Code : XSTAP



Chrome plated brass cross head high neck sink taps. Supplied in pairs.

**Material:**

Chrome plated brass body and head.

**Specification:**

1/2" standard valve.  
1/2" BSP inlet connection.  
Metal backnuts.  
WRAS approved.

**Flow rates:**

14 litres/min at 0.2 bar.  
70 litres/min at 5 bar.

**Water Pressure:**

Min 0.2 bar, max 7 bar.

**Guarantee:**

1 year against manufacturing defects.