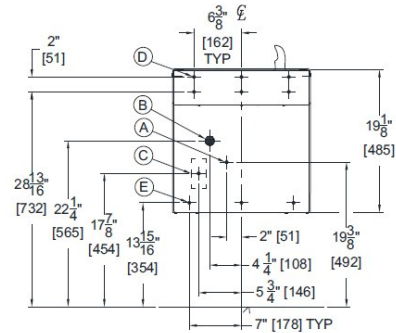
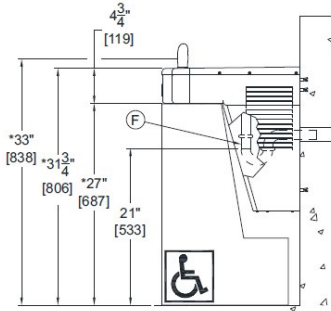


Wall Mounted Accessible Drinking Fountain (Non Chilled)



Product Code: ACCDF

Wall-Mounted Accessible Drinking Fountain (Non chilled)

Product Code: ACCDF

The model ACCDF wall-mounted drinking fountain (non chilled) is a fully DDA compliant solution for supplying drinking water to both wheelchair and able bodied users. The wheelchair-accessible drinking fountain is designed for schools, gyms, offices and commercial environments. Manufactured from high-grade 304 stainless steel, this durable and hygienic drinking fountain is ideal for high-usage areas. With easy-push anti-microbial controls and flexible installation height options, it delivers reliable performance while meeting modern accessibility standards.

Key Features & Benefits

- DDA compliant design suitable for both wheelchair users and able-bodied users.
- Body and bowl manufactured from grade 304 stainless steel for strength, hygiene and longevity.
- Flexible mounting at adult or junior height.
- Anti-microbial, easy-push front activation button.
- **Please note this is the non-chilled version and is not a water cooler.**

What's Included With This Unit

- Anti-microbial, non-squirt bubbler valve with flexible guard.
- Pre-plumbed setup with Y-strainer and flow adjuster.
- 32mm waste fitting.

Ideal Installation Environments

This indoor wall-mounted water cooler is perfect for:

- Schools, colleges and universities.
- Gyms, leisure centres and sports facilities.
- Factories, warehouses and industrial sites.
- Offices and commercial buildings.

Product Dimensions

- Height: 485mm (without bubbler).
- Width: 470mm.
- Depth: 470mm.

Fast Delivery

In stock for quick dispatch.

Standard delivery: 1 to 3 working days.

Alternatives

- [Available with top sensor operated bottle filler.](#)

- [Available as a chilled water cooler \(without bottle filler\).](#)
- [Available as a chilled water cooler with sensor operated bottle filler.](#)

All pictures shown are for illustration purpose only and may be subject to change without notice. Actual product may vary due to product enhancement. All dimensions shown are for guidance only and may be subject to change or alteration without notice. All items manufactured or purchased separately from a third party to fit our products should be checked against the actual dimensions of the physical product before purchase. We will not be liable for third party costs and consequential loss associated with the items not fitting third party components.