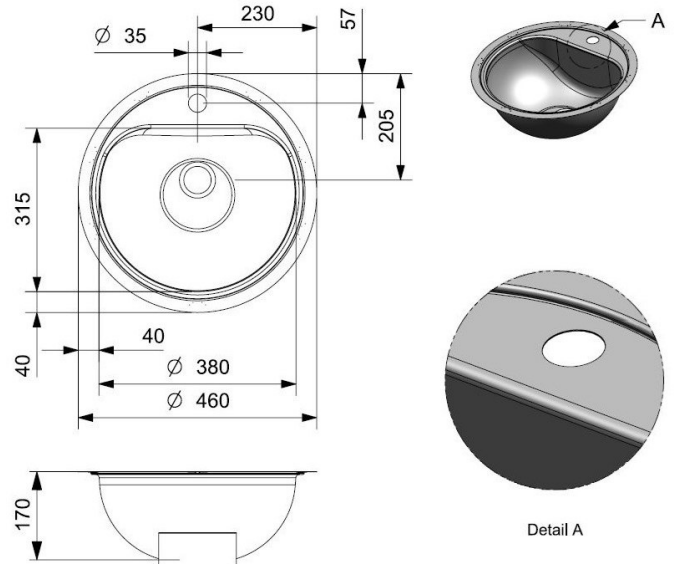


Inset D Shape Sink No Overflow



Product Code: INDSS

Inset D Shape Sink No Overflow

Product Code INDSS

Stainless steel inset D shaped sink bowl with single tap hole and waste without overflow.

- Stainless steel single inset D shape sink bowl.
- Polished finish.
- Suitable for inset installation.
- 1 x Single 35mm tap hole.
- Supplied with 2" strainer waste kit, clips & seals.

Size

- Bowl dimensions: 380mm x 315mm x 170mm.
- Overall dimensions: 460mm diameter x 170mm Deep.
- Waste 50mm.

Delivery

- Usually from stock 2 to 3 working days.

Options

[For taps and pre rinse spray units, see our tap section.](#)

**All pictures shown are for illustration purpose only and may be subject to change without notice. Actual product may vary due to product enhancement.
 All dimensions shown are for guidance only and may be subject to change or alteration without notice. All items manufactured or purchased separately from a third party to fit our products should be checked against the actual dimensions of the physical product before purchase. We will not be liable for third party costs and consequential loss associated with the items not fitting third party components.**