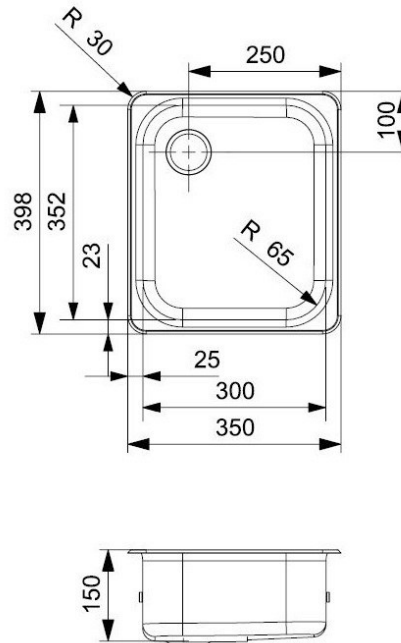


Inset Rectangular Sink Bowl



Detail A

Product Code: INSB

Inset Sink Bowl

Product Code INSB

Stainless steel inset rectangular sink bowl 300mm x 352mm with waste and overflow.

- Stainless steel single inset square sink bowl.
- Polished finish.
- Suitable for inset installation.
- Supplied with 2" waste kit & overflow, clips & seals.

Size

- Bowl dimensions: 300 x 352 x 150mm
- Overall dimensions: 350 x 398 x 150mm
- Minimum cabinet size required 400mm.
- Waste 50mm.

Delivery

- Usually from stock 2 to 3 working days.

Options

[For taps and pre rinse spray units, see our tap section.](#)

**All pictures shown are for illustration purpose only and may be subject to change without notice. Actual product may vary due to product enhancement.
 All dimensions shown are for guidance only and may be subject to change or alteration without notice. All items manufactured or purchased separately from a third party to fit our products should be checked against the actual dimensions of the physical product before purchase. We will not be liable for third party costs and consequential loss associated with the items not fitting third party components.**