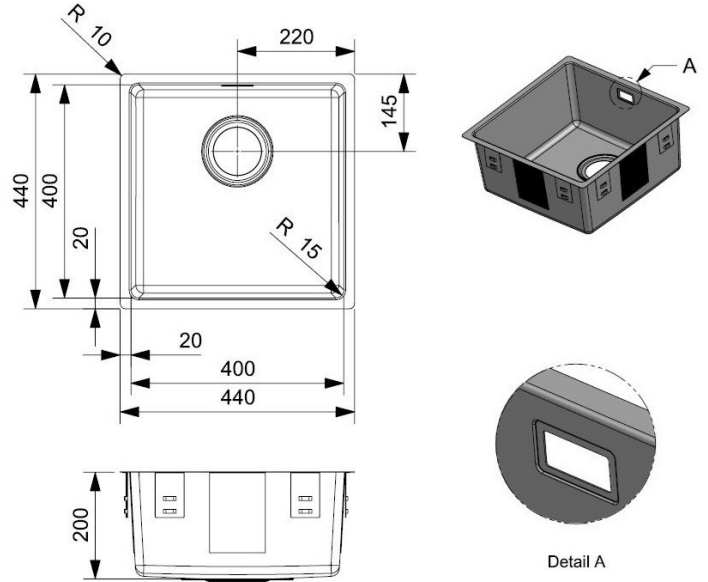


200mm Deep Square Undermount Sink



Product Code: SUS-200

200mm Deep Square Undermount Sink

Product Code SUS-200

Stainless steel square sink bowl 400mm x 400mm x 200mm deep inset and undermount sink top with waste and overflow.

- Stainless steel single undermount/inset square sink bowl.
- Suitable for inset and undermount installation.
- Supplied with 3.5" strainer waste kit & overflow, clips & seals.

Size

- Bowl dimensions: 400 x 400 x 200mm
- Overall diameter: 440 x 440 x 200mm
- Minimum cabinet size required 500mm.
- Waste 90mm.

Delivery

- Usually from stock 2 to 3 working days.

Options

[For taps and pre rinse spray units, see our tap section.](#)

****All pictures shown are for illustration purpose only and may be subject to change without notice. Actual product may vary due to product enhancement. All dimensions shown are for guidance only and may be subject to change or alteration without notice. All items manufactured or purchased separately from a third party to fit our products should be checked against the actual dimensions of the physical product before purchase. We will not be liable for third party costs and consequential loss associated with the items not fitting third party components.****