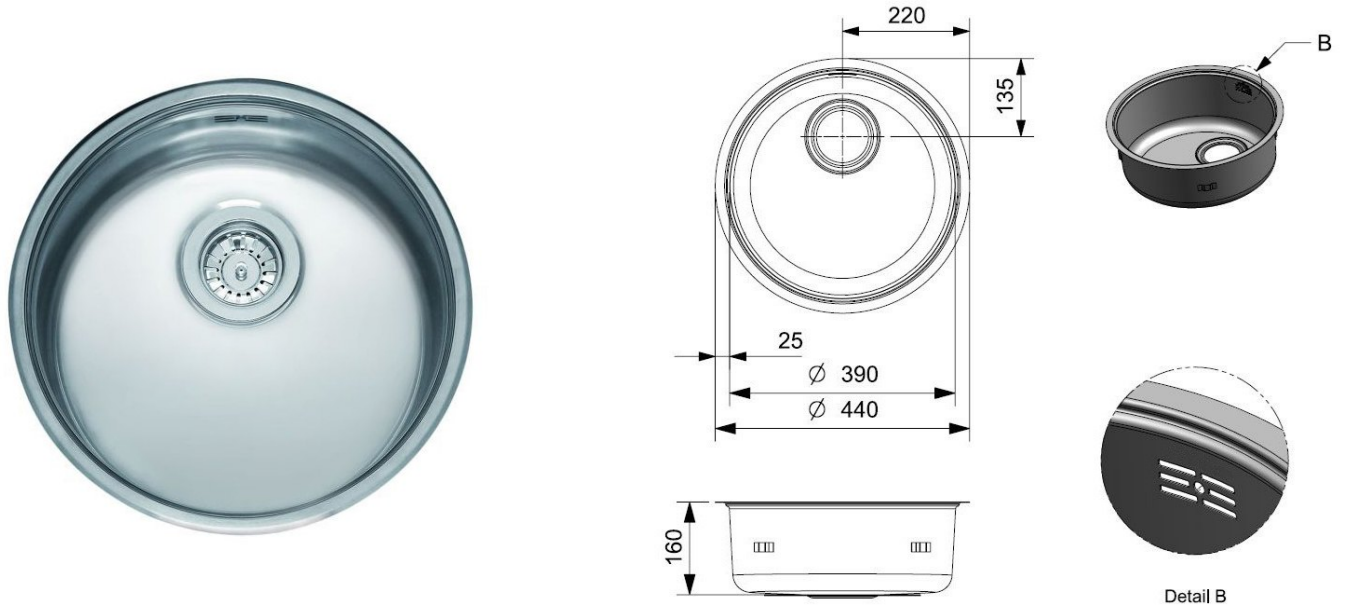


Round Undermount Sink



Product Code: RUS

Round Undermount Sink

Product Code RUS

- Stainless steel single undermount sink bowl.
- Polished finish.
- Suitable for inset and undermount installation.
- Supplied with 3.5" strainer waste kit & overflow, clips & seals.

Size

- Bowl diameter: 390mm.
- Overall diameter: 440mm.
- Bowl Depth: 160mm.
- Minimum cabinet size required 450mm.
- Waste 90mm.

Delivery

- Usually from stock 2 to 3 working days.

Options

[For taps and pre rinse spray units, see our tap section.](#)

**All pictures shown are for illustration purpose only and may be subject to change without notice. Actual product may vary due to product enhancement.
All dimensions shown are for guidance only and may be subject to change or alteration without notice. All items manufactured or purchased separately from a third party to fit our products should be checked against the actual dimensions of the physical product before purchase. We will not be liable for third party costs and consequential loss associated with the items not fitting third party components.**