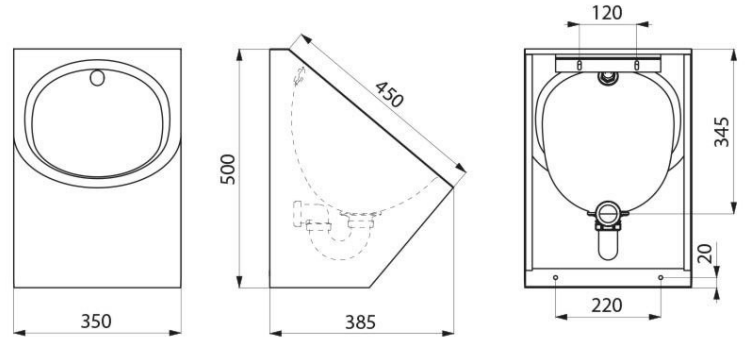


Top Entry Bowl Urinals - Stainless Steel



Product Code: SSBU-TE

Top Entry Urinal Bowls - Stainless Steel

Product Code SSBU-TE

Stainless steel top entry bowl urinals - a perfect choice for commercial washrooms. Manufactured from 1.2 mm thick bacteriostatic grade 304 stainless steel with a satin polished finish for ease of cleaning and vandal resistance.

Installation is simple from the front with a stainless steel wall mounting frame with TORX anti-theft screws. Featuring a top entry water inlet and a waste fitting that can either be discharged through the back wall or through the bottom of the bowl urinal.

- Stainless steel bowl urinals.
- Top entry for exposed inlet supply.
- Manufactured from 1.2mm thick satin polished stainless steel.
- Quick and easy install with a stainless steel mounting frame.
- The bowl urinals are supplied as a single unit with no pipe work or cistern.
- Supplied with a 1 1/2" P trap for through wall waste.
- Outlet to go through back wall or through the bottom of the bowl urinal.
- TORX head theft prevention screws.
- Designed for use with exposed pipework and auto cisterns.
- Complies with European standard EN 13407 for 2L flush.
- CE Marked.

Size

- 500mm high.
- 350mm wide.
- 385mm front to back.

Delivery

- In stock 1 - 3 working days.

**All pictures shown are for illustration purpose only and may be subject to change without notice. Actual product may vary due to product enhancement.

All dimensions shown are for guidance only and may be subject to change or alteration without notice. All items manufactured or purchased separately from a third party to fit our products should be checked against the actual dimensions of the physical product before purchase. We will not be liable for third party costs and consequential loss associated with the items not fitting third party components.**