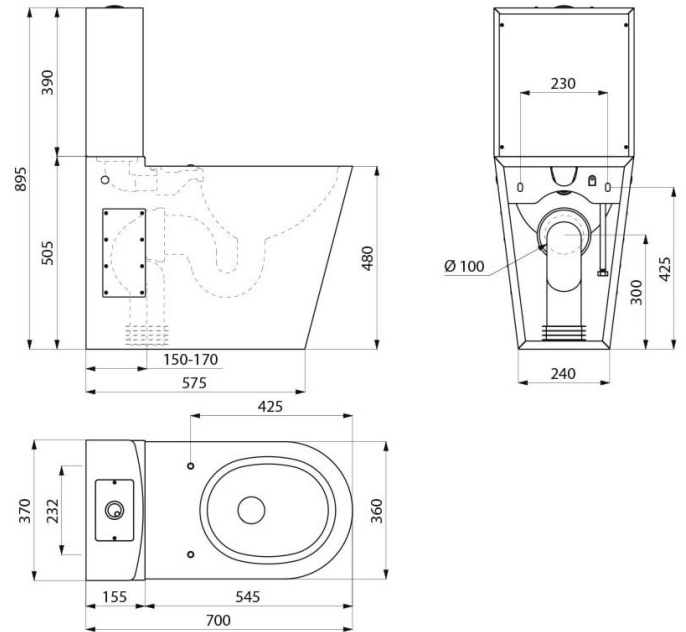


## Accessible Close Coupled Toilet - Stainless Steel



Product Code: ACCTSS

### Accessible Stainless Steel Close Coupled Toilet And Cistern

Product Code ACCTSS

The stainless steel accessible close coupled toilet and cistern is the ultimate solution for users with a range of disabilities, including those who use wheelchairs, those who need assistance, and those with other mobility impairments. Manufactured from high-grade 304 bacteriostatic stainless steel, this all-in-one WC unit is engineered for ease of use with an increased height and length to make it easier for accessible users needs. With its sleek, compact design and close coupled cistern, the toilet is ideal for environments where cleanliness, safety, and reliability are non-negotiable — from factories, schools, transport hubs and public buildings. Trust in Washware's commitment to quality and innovation for your sanitary ware needs.

- Accessible close coupled toilet and cistern with dual flush.
- Increased height to 480mm.
- Increased length to 700mm.
- Manufactured from 1.5mm thick bacteriostatic grade 304 stainless steel.
- WC bowl pressed in one piece for easy cleaning and hygiene.
- Concealed flushing rim.
- Horizontal 100mm outlet.
- Supplied with plastic adaptor to convert to vertical (S trap) outlet.
- Fully compliant with latest regulations.
- 6 / 3 litre dual flush operation.
- Water inlet from below or either side via removable side hole covers.
- Two side access panels for acces to pipe connections.
- CE marked.
- Complies with European standard EN 997 for a 4L flush.

#### Size

- Length 700mm.
- Width: 370mm.
- Height: 895mm.
- Toilet rim height: 480mm.

#### Delivery

- From stock usually 1 to 2 working days

#### Options

- Plain top (no seat).
- Black plastic seat only (no cover).

\*\*All pictures shown are for illustration purpose only and may be subject to change without notice. Actual product may vary due to product enhancement. All dimensions shown are for guidance only and may be subject to change or alteration without notice. All items manufactured or purchased separately from a third party to fit our products should be checked against the actual dimensions of the physical product before purchase. We will not be liable for third party costs and consequential loss associated with the items not fitting third party components.\*\*