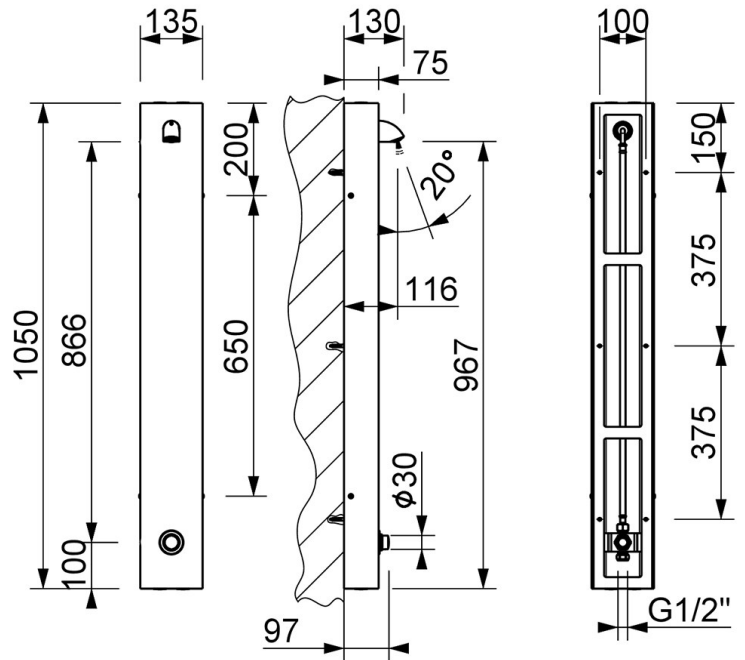


Stainless Steel Shower Panel - Press Button



Product Code: SHPAN-PB

Stainless Steel Shower Panel with Time-Flow Control & Anti-Ligature Head

Product Code SHPAN-PB

Upgrade your shower room with our heavy-duty stainless steel wall-mounted shower panel, engineered for maximum durability, hygiene, and safety. Designed for high-use environments such as schools, sports centres, prisons, mental health units, and public facilities, this shower panel features a tamper-resistant push-button time flow operation (15–25 seconds), conserving water while promoting user hygiene. The fixed anti-ligature, vandal-resistant shower head enhances safety and reduces the risk of misuse, making it ideal for secure and controlled settings. Built to withstand harsh use and easy to maintain, this panel delivers reliable performance without compromising safety or compliance.

- Stainless steel shower panel.
- Press button time flow valve.
- 15 to 25 seconds run time.
- Anti-ligature shower head.
- Polished stainless steel body with chrome plated valve and head.
- Concealed wall fixings.
- Supply - 1/2" inlet for premixed water or cold water.
- Suitable for top / bottom and back entry pipe installation.
- Ideal for sport and leisure facilities, camp sites, lorry parks, and shower areas where a compact and vandal resistant shower panel is required.

Size

- 1050mm high.
- 135mm wide.
- Projection 129mm.

Specification

- Min working pressure: 0.5 Bar.
- Max working pressure: 6.0 Bar.
- Flow rate to 15 litres per minute at 3 bar.

Delivery

- From stock usually 1 - 2 working days.

**All pictures shown are for illustration purpose only and may be subject to change without notice. Actual product may vary due to product enhancement.

All dimensions shown are for guidance only and may be subject to change or alteration without notice. All items manufactured or purchased separately from a third party to fit our products should be checked against the actual dimensions of the physical product before purchase. We will not be liable for third party costs and consequential loss associated with the items not fitting third party components.**