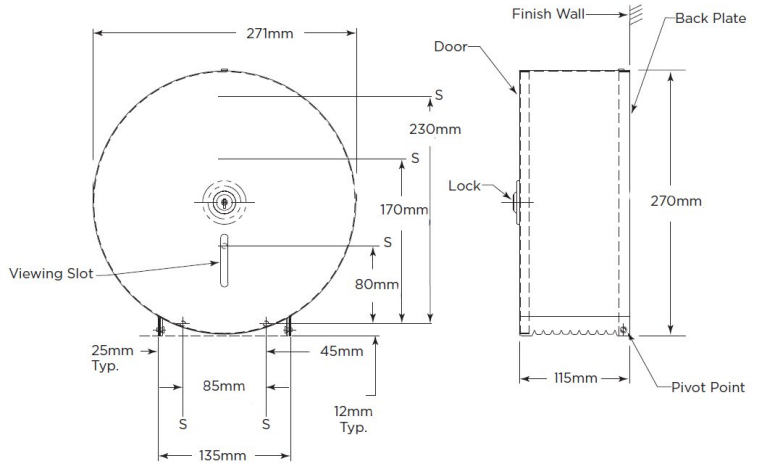


## Bobrick Mini Jumbo Toilet Roll Holder



Product Code: B-2890

### Bobrick Mini Jumbo Toilet Roll Holder

Product code B-2890

The Mini Jumbo toilet roll holders are manufactured to hold up to 255mm diameter toilet rolls. They are ideal for busier toilet areas to prevent downtime and reduce maintenance time. Our range offers an attractive design whilst still being robust enough to stand up to heavy use. Mini Jumbo toilet rolls are easily changed via the hinged front face which is held closed with a security tumbler lock with standard key that is matched to the other units. The unit has a visual level indicator to show how much toilet roll is remaining.

- Maximum diameter toilet roll 255mm.
- Satin stainless steel finish.
- Visual level indicator.
- Hinged lockable door for easy access.
- Standard 1 1/2 inch core size toilet rolls this is convertible up to 3 inch when the rubber O-rings have been added (these are supplied with the unit).

#### Size

- 271mm Diameter.
- 115mm deep.

#### Delivery

- From stock usually 1 to 2 working days.

\*\*All pictures shown are for illustration purpose only and may be subject to change without notice. Actual product may vary due to product enhancement. All dimensions shown are for guidance only and may be subject to change or alteration without notice. All items manufactured or purchased separately from a third party to fit our products should be checked against the actual dimensions of the physical product before purchase. We will not be liable for third party costs and consequential loss associated with the items not fitting third party components.\*\*