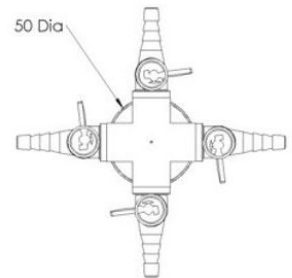
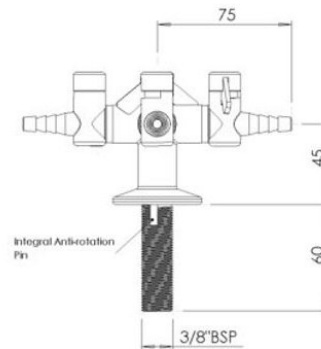
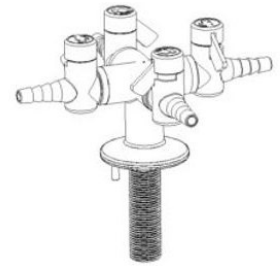
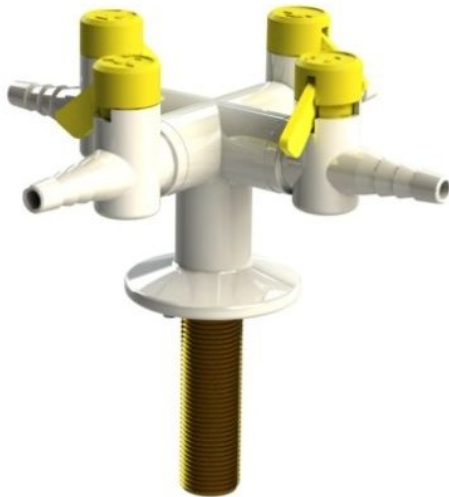


## Four Way Bench Mounted Gas Tap



All Dimensions in MM  
 Drilling template included

Product Code: ARB-4GTAP

### Four Way Bench Mounted Gas Tap

Product Code ARB-4GTAP

- Four way high visibility gas tap with fixed serrated nozzles and drop levers.
- Suitable for both natural and LPG gas applications.
- Non-Return valve version available in options (fitted with non-return valves and nozzle restrictors).
- All brass body, coated in Rilsan plastic, which is self-extinguishable and low flammability.
- Body colour is (Ral 9016) white.
- The appliance should be used to size pipe work not the gas valve.
- **British Gas/BSI certified.**
- **Please note these items should only be installed by a person competent to do so.**

#### Connection and Mounting

- 3/8" BSP male flat ended shank x 60mm long with back nut.
- Comes as standard with an anti-rotation pin to prevent the tap being twisted.
- 2 holes required 1 x 17mm tap hole and 1 x 5mm for the anti-rotation pin, a template is supplied with the tap.
- Can be used with natural and LPG gases.

#### Pressure

- Maximum pressure: 20 - 25Mbar.
- Flow rate: 20Mbar = 1 Cubic meter/hour per nozzle.

#### Delivery

- From stock usually 3 to 5 working days.

\*\*All pictures shown are for illustration purpose only and may be subject to change without notice. Actual product may vary due to product enhancement. All dimensions shown are for guidance only and may be subject to change or alteration without notice. All items manufactured or purchased separately from a third party to fit our products should be checked against the actual dimensions of the physical product before purchase. We will not be liable for third party costs and consequential loss associated with the items not fitting third party components.\*\*