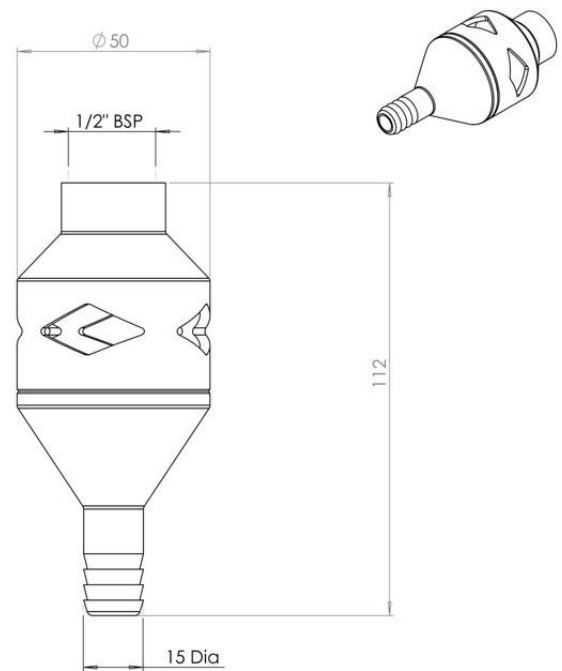


Water Back Flow Prevention Nozzle



Product Code: ARB-BFPN

Water Back Flow Prevention Nozzle

Product Code ARB-BFPN

- Designed to protect the water supply from contamination from back siphonage in laboratory environments.
- The nozzle is a permanent replacement for a standard nozzle.
- To be fitted to the outlet of the laboratory water tap with Loctite 648.
- **Advice Must be Obtained from your local water authority to ensure compliance with the current water supply (water fittings) Regulations 1999.**
- 1/2 BSP female inlet connection.

Delivery

- From stock usually 3 to 5 working days.

****All pictures shown are for illustration purpose only and may be subject to change without notice. Actual product may vary due to product enhancement.**

All dimensions shown are for guidance only and may be subject to change or alteration without notice. All items manufactured or purchased separately from a third party to fit our products should be checked against the actual dimensions of the physical product before purchase. We will not be liable for third party costs and consequential loss associated with the items not fitting third party components.**