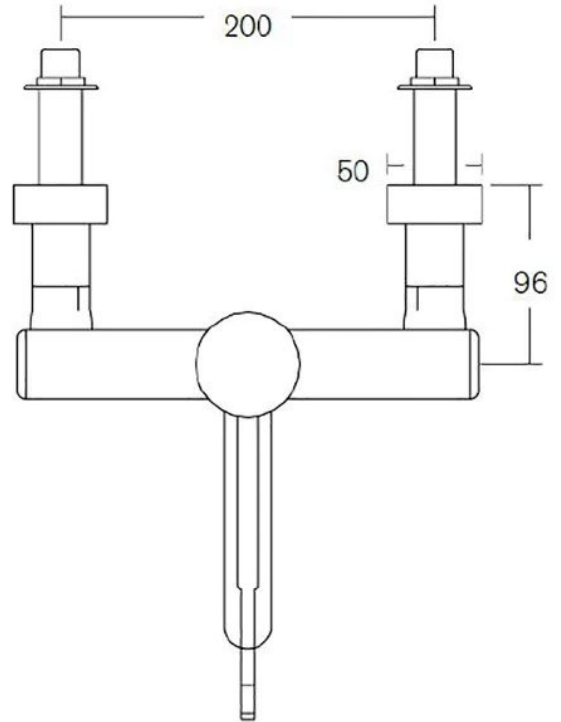


Wall Mounted Healthcare TMV3 Lever Tap



Product Code: SC-HTLT

Wall Mounted Healthcare TMV3 Lever Tap

Product Code SC-HTLT

- High polish chrome finish.
- Removable Spout.
- Wall mounted model.
- HBN, HTM & SHTM compliant.
- TMV3 approved thermostatic control.
- Integral isolation valves.
- 200mm tap hole centres.
- Long lever for wrist or elbow operation.
- Designed to comply with the HTM64 requirements for use in hospitals, healthcare and commercial applications.
- Purge feature available if a purge kit is purchased from the options.
- Max operating pressure - 5.0 bar dynamic / 10.0 bar static.
- Min operating pressure - 1.0 bar.
- Max inlet temp - 85°C.
- Pre-set factory temp - 41°C.
- WRAS Approved.

Delivery

- Usually 5 - 7 working days.

All pictures shown are for illustration purpose only and may be subject to change without notice. Actual product may vary due to product enhancement. All dimensions shown are for guidance only and may be subject to change or alteration without notice. All items manufactured or purchased separately from a third party to fit our products should be checked against the actual dimensions of the physical product before purchase. We will not be liable for third party costs and consequential loss associated with the items not fitting third party components.