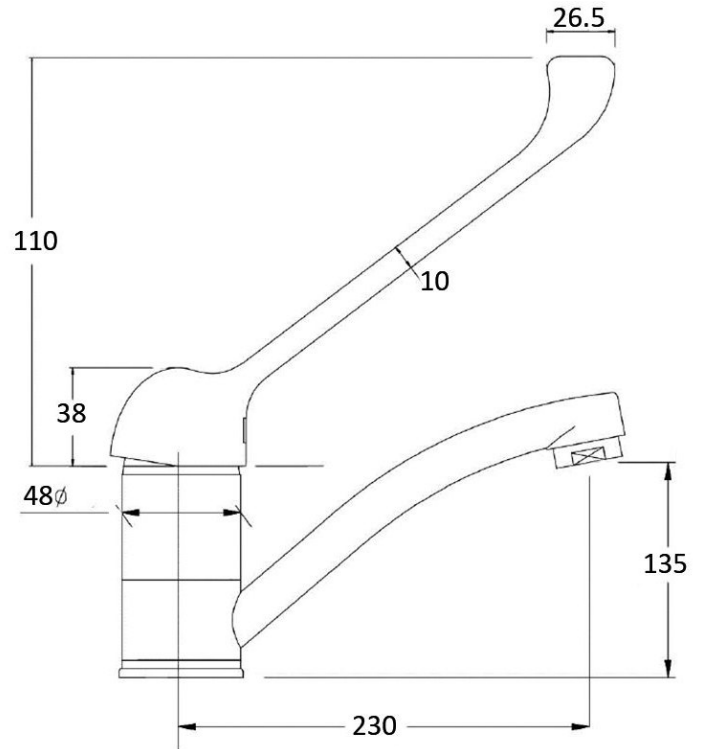


## Swivel Spout Dental Tap



Product Code: SSDT

### Swivel Spout Lever Dental Tap

Product Code SSDT

- Swivel spout dental sink tap.
- Long lever operating lever.
- Chrome plated brass construction.
- Suitable for dental practices and healthcare environments.
- Suitable for all plumbing systems.
- 0.2 - 5.0 bar working pressure.
- Copper hot and cold water supply tails.
- Tilt and turn temperature and flow control.
- Long easy to use lever.
- 35mm single tap hole required.
- WRAS approved.

#### Delivery

- From stock 1 to 3 working days.

\*\*All pictures shown are for illustration purpose only and may be subject to change without notice. Actual product may vary due to product enhancement.  
All dimensions shown are for guidance only and may be subject to change or alteration without notice. All items manufactured or purchased separately from a third party to fit our products should be checked against the actual dimensions of the physical product before purchase. We will not be liable for third party costs and consequential loss associated with the items not fitting third party components.\*\*