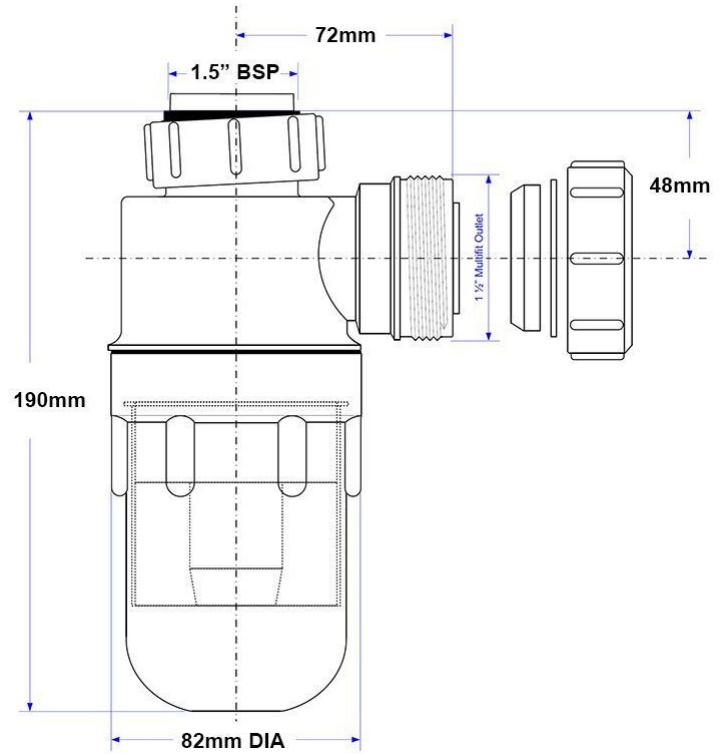


Resealing Plastic Bottle Trap



Product Code: RES-BOTTLETRAP

Resealing Plastic Bottle Trap

Product Code RES-BOTTLETRAP

- This is our resealing plastic bottle trap which has a 38mm inlet & outlet.
- Total length is 190mm.
- The resealing action ensures retention of an adequate water seal even when under extreme syphonic conditions.
- HTM64 , HBN00-10 compliant and conforms to BS EN 274-1:2002.
- Required for all hospital, surgery and nursing home applications.
- Multifit compression outlet to fit all plastic , copper and lead pipe.

Delivery

- From stock usually 1 to 2 working days.

All pictures shown are for illustration purpose only and may be subject to change without notice. Actual product may vary due to product enhancement. All dimensions shown are for guidance only and may be subject to change or alteration without notice. All items manufactured or purchased separately from a third party to fit our products should be checked against the actual dimensions of the physical product before purchase. We will not be liable for third party costs and consequential loss associated with the items not fitting third party components.