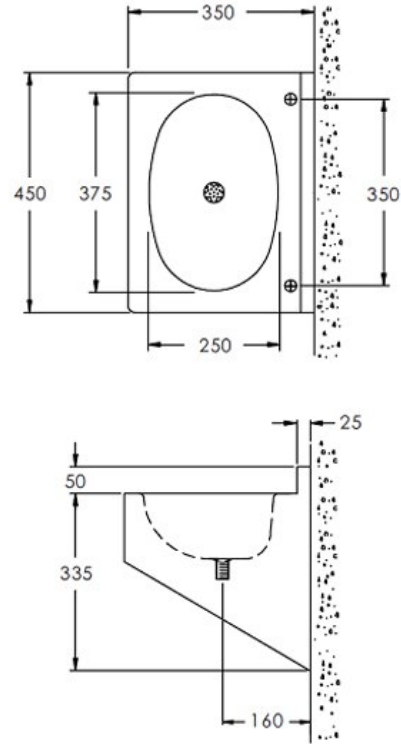


## Security Wash Basin Wall Mounted



Product Code: SWB

### Stainless Steel Security Wash Basin

Product Code SWB

- Stainless steel security wash basin with fixed shroud.
- Vandal resistant stainless steel construction with no joints or openings for concealment of contraband.
- Fixed shroud for duct wall fixing.
- Supplied with M12 x 150mm bolts for fixing to a duct wall with concealed services.
- Supplied with two tap holes. Tap hole blank can be supplied if only one tap hole is required.
- Complete with 32mm flush grated waste (no overflow or plug).
- Taps shown for illustration only, available at extra cost in options.

#### Size

- 450mm wide.
- 350mm front to back.
- 335mm deep with 50mm rear upstand.

#### Delivery

- From stock usually 1 to 2 working days.

#### Optional Extras

- Stainless steel tap hole blank.
- Pair cross head taps.
- Pair soft touch time flow basin taps.
- Single soft touch time flow basin tap (cold).
- Pair lever basin taps.
- Lever operated mono bloc mixer tap.

\*\*All pictures shown are for illustration purpose only and may be subject to change without notice. Actual product may vary due to product enhancement. All dimensions shown are for guidance only and may be subject to change or alteration without notice. All items manufactured or purchased separately from a third party to fit our products should be checked against the actual dimensions of the physical product before purchase. We will not be liable for third party costs and consequential loss associated with the items not fitting third party components.\*\*