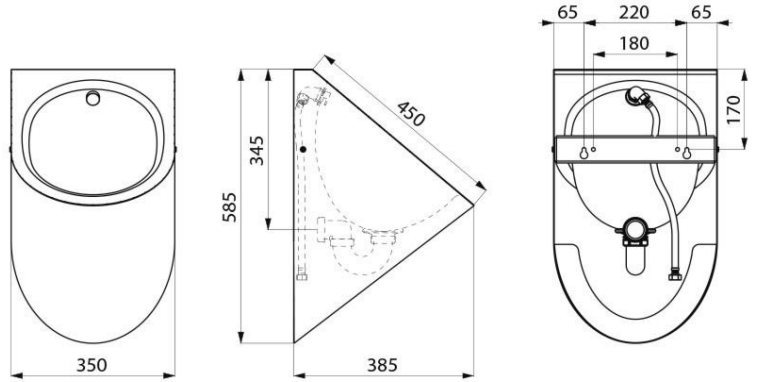


Back Entry Bowl Urinals Stainless Steel



Product Code: SSBU-BE

Back Entry Urinal Bowls - Stainless Steel

Product Code SSBU-BE

Discover the ultimate in hygiene, durability and design with our stainless steel back entry bowl urinal - a perfect choice for commercial washrooms. Manufactured from 1.2 mm thick, bacteriostatic 304 stainless steel with a satin polished finish, this rimless, wall-mounted urinal bowl is built to last and maintain cleanliness..

Installation is simple with a stainless steel wall frame, front access and TORX anti-theft screws. Featuring a rear water inlet and concealed trap to hide all the pipework the bowl urinal offers a clean install with no visible pipework.

- Stainless steel bowl urinals.
- Back entry inlet supply.
- 1/2" flexible inlet connection.
- Manufactured from 1.2mm thick satin polished stainless steel.
- Quick and easy install with a stainless steel mounting frame.
- The bowl urinals are supplied as a single unit with no pipe work or cistern.
- Supplied with a 1 1/2" P trap.
- Outlet to go through back wall.
- TORX head theft prevention security screws.
- Designed for use with direct flush valves or can be adapted on site to work with an auto cistern.
- Complies with European standard EN 13407 for 2L flush.
- CE Marked.

Size

- 500mm high.
- 350mm wide.
- 385mm front to back.

Delivery

- In stock 1 - 3 working days.

**All pictures shown are for illustration purpose only and may be subject to change without notice. Actual product may vary due to product enhancement.
 All dimensions shown are for guidance only and may be subject to change or alteration without notice. All items manufactured or purchased separately from a third party to fit our products should be checked against the actual dimensions of the physical product before purchase. We will not be liable for third party costs and consequential loss associated with the items not fitting third party components.**