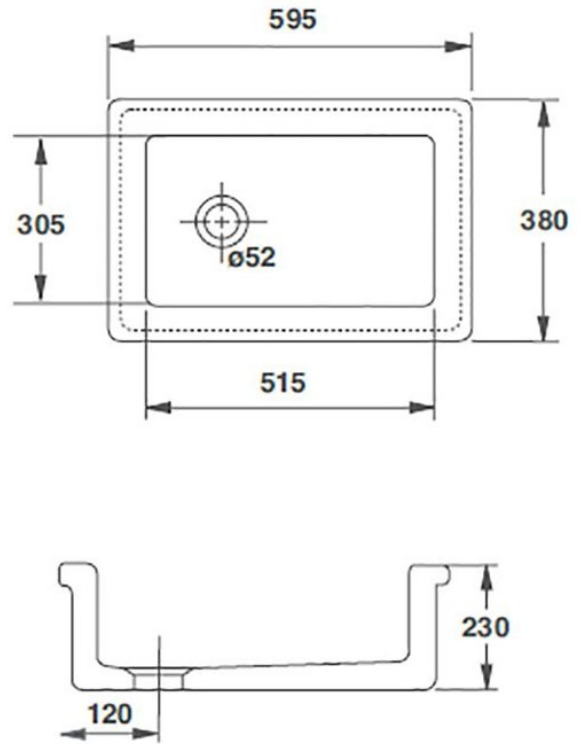


Washware Essentials Laboratory Sink



Product Code: SHA-LAB3

Washware Essentials Laboratory Sink

Product Code SHA-LAB3

- Washware Essentials Laboratory sink.
- Manufactured in white fireclay with no overflow.
- The China lab sinks are offered in 4 sizes please see Optional Extras below for details.
- Acid and alkali resistant.
- Antibacterial glazed surfaces.
- Designed to withstand heavy use.
- 1 1/2" waste outlet required.
- Please note sizes may vary slightly due to the manufacturing process.

Dimensions

- Width 595mm.
- Height 230mm.
- Front to Back 380mm.

Delivery

- Currently 7 - 10 working days.

Optional Extras

- Vulcathene waste (unslotted).
- Vulcathene bottle trap.
- [SHA-LAB1 360 x 178 x 280mm.](#)
- [SHA-LAB2 330 x 180 x 300mm.](#)
- [SHA-LAB4 460 x 200 x 365mm.](#)

All pictures shown are for illustration purpose only and may be subject to change without notice. Actual product may vary due to product enhancement. All dimensions shown are for guidance only and may be subject to change or alteration without notice. All items manufactured or purchased separately from a third party to fit our products should be checked against the actual dimensions of the physical product before purchase. We will not be liable for third party costs and consequential loss associated with the items not fitting third party components.