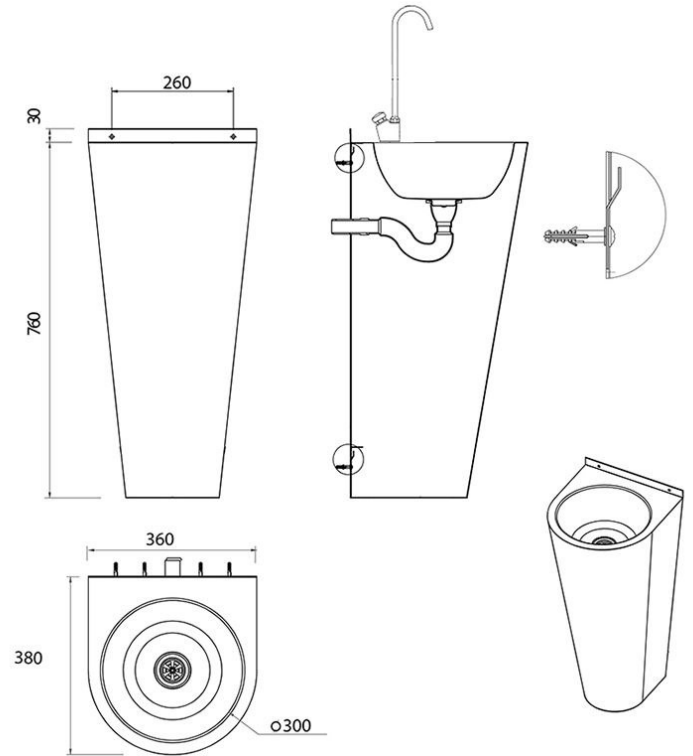


Floorstanding Junior Height Bottle Filling Fountain (Non-Chilled)



Product Code: FSBFF-J

Junior Height Stainless Steel Bottle Filler

Product Code FSBFF-J

Stainless steel floor standing junior height bottle filling fountain for filling of re-useable drinking water bottles. The rounded front provides safety for users whilst the junior height shroud allows for the water pipes to be concealed.

- Floor standing a junior height drinking water bottle filling fountain.
- Stainless steel grade 304 construction.
- Junior height 760mm.
- Fixed under shroud to conceal pipework.
- Rounded front design for safety.
- Complete with standard WRAS approved press button bottle filling tap.
- Supplied with fixing brackets, 32mm waste fitting and flexible waste pipe.
- Recommended for many applications including Schools.
- Please ensure that these are drained down and isolated in cold weather to avoid damage to the bubbler.
- Also available with [drinking water tap](#) or with [both drinking and bottle filling tap](#).
- To ensure the proper functioning and longevity of this unit, a Y-strainer or filter must be installed as part of the water supply system. The Y-strainer / filter is essential for protecting the internal components and maintaining the correct flow characteristics of the tap. Failure to install a Y-strainer or filter will result in the warranty being void.

Size

- 380mm front to back.
- 360mm wide.
- 760mm high plus 30mm upstand.

Delivery

- From stock usually 1 to 2 working days.

Optional Extras

- WRAS approved drinking water tap model available.
- 32mm plastic bottle trap.

**All pictures shown are for illustration purpose only and may be subject to change without notice. Actual product may vary due to product enhancement.
 All dimensions shown are for guidance only and may be subject to change or alteration without notice. All items manufactured or purchased separately from a third party to fit our products should be checked against the actual dimensions of the physical product before purchase. We will not be liable for third party costs and consequential loss associated with the items not fitting third party components.**