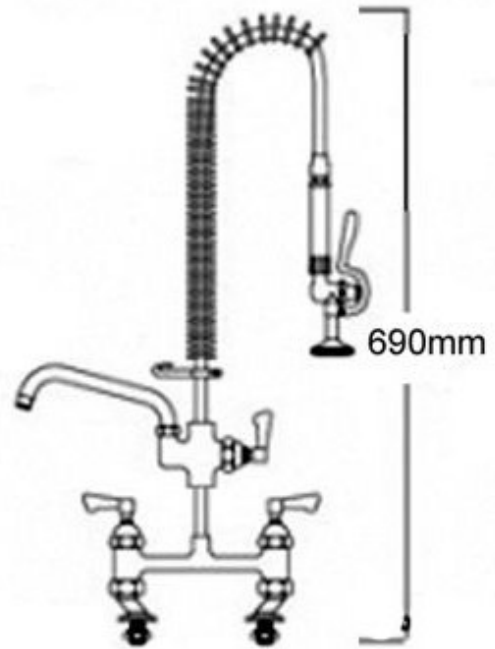


Short Pre Rinse Spray Unit With Pot Filler



Product Code: MCL-SPRTPF

Short Catering Pre-Rinse Spray Unit And Pot Filler - Twin Pedestal Twin Supply

Product Code: SPRTPF

- Short catering pre rinse spray unit with twin pedestal.
- Also known as a pot wash unit.
- Twin water supply (hot and cold water).
- Hot and cold lever operated taps.
- Adjustable pedestal to suit tap hole centres from 170mm to 230mm.
- 2 x 25mm tap holes required.
- Complete with lever operated pot filler with 6, 12, or 16 inch spout
- Hand held trigger operated spray.
- Fully assembled to save installation time unlike other makes.
- 300mm long wall bracket which can be trimmed on site,
- Strong food grade water hose.
- Factory pressure and flow tested.
- WRAS approved.

Delivery

- Usually 3 working days.

****All pictures shown are for illustration purpose only and may be subject to change without notice. Actual product may vary due to product enhancement. All dimensions shown are for guidance only and may be subject to change or alteration without notice. All items manufactured or purchased separately from a third party to fit our products should be checked against the actual dimensions of the physical product before purchase. We will not be liable for third party costs and consequential loss associated with the items not fitting third party components.****