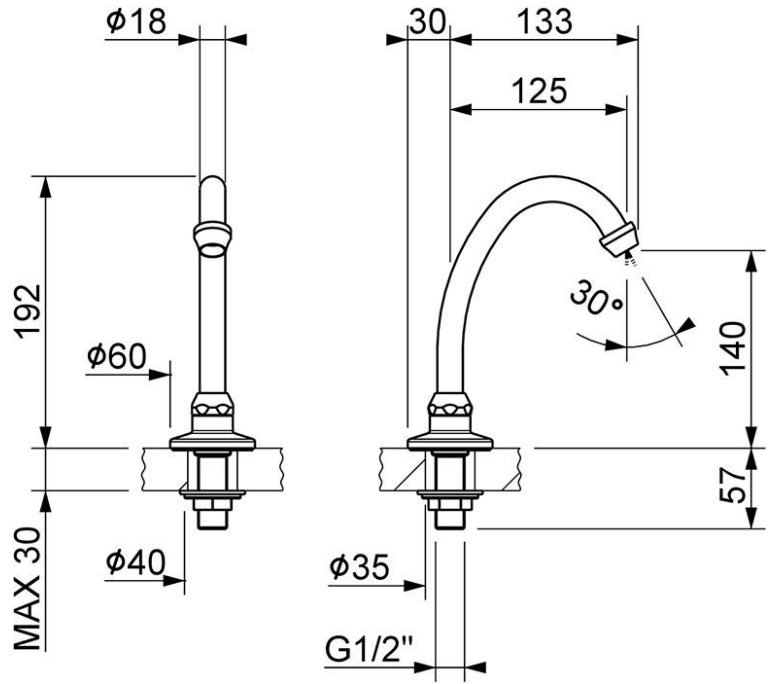


## Swivel Basin Spout



Product Code: MCL-SSPOUT

### Swivel Hand Wash Basin Spout

Product Code: SSPOUT

- Chrome plated basin swivel spout.
- 1/2" male standard inlet connection.
- Ideal for use with knee or foot valves.
- 22 to 40mm mm tap holes required.

#### Delivery

- Usually 1 to 3 working days.

\*\*All pictures shown are for illustration purpose only and may be subject to change without notice. Actual product may vary due to product enhancement.  
 All dimensions shown are for guidance only and may be subject to change or alteration without notice. All items manufactured or purchased separately from a third party to fit our products should be checked against the actual dimensions of the physical product before purchase. We will not be liable for third party costs and consequential loss associated with the items not fitting third party components.\*\*