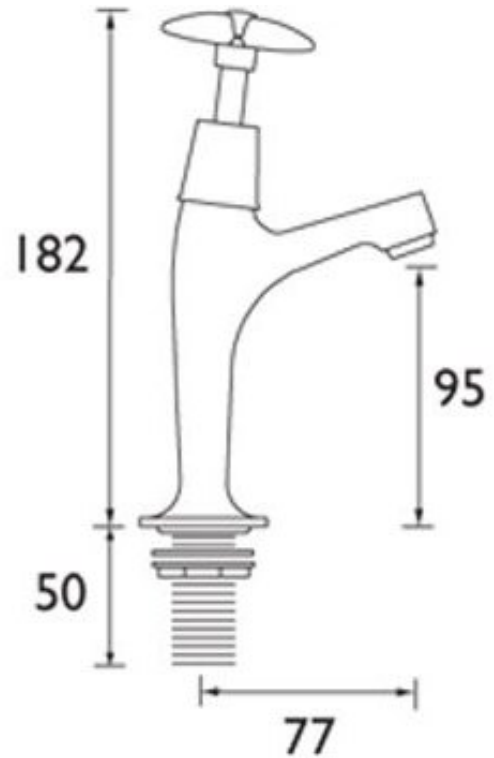


Cross Head Sink Taps



Product Code: XSTAP

Cross Head Sink Taps

Product Code: XSTAP

- Chrome plated cross head sink taps.
- High neck design suitable for sinks.
- Supplied in pairs.
- Metal head and brass body.
- 1/2" standard valve and inlet.
- Metal back nuts.
- WRAS approved.
- 1 years manufacturers warranty against defects.
- 22mm tap holes required.

Delivery

- Usually 1 to 3 working days.

**All pictures shown are for illustration purpose only and may be subject to change without notice. Actual product may vary due to product enhancement.
All dimensions shown are for guidance only and may be subject to change or alteration without notice. All items manufactured or purchased separately from a third party to fit our products should be checked against the actual dimensions of the physical product before purchase. We will not be liable for third party costs and consequential loss associated with the items not fitting third party components.**