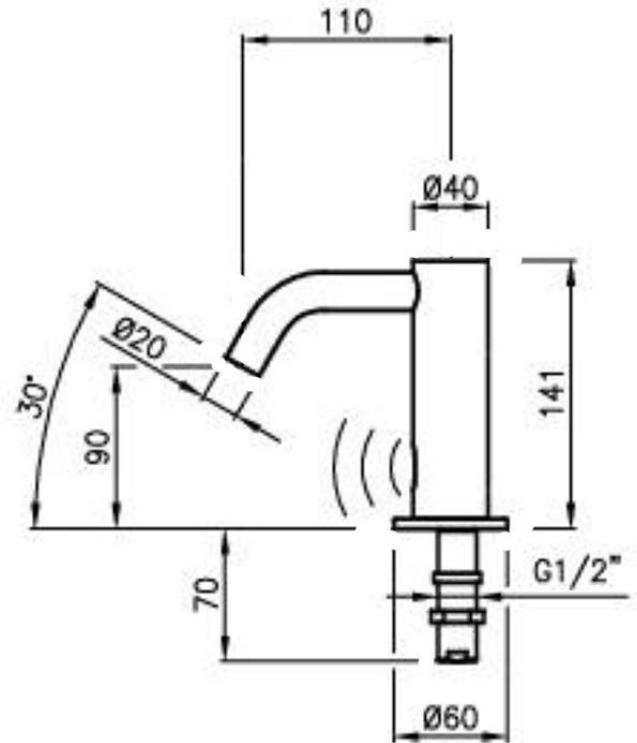


Mains Operated Sensor Tap



Product Code: MST

Sensor Operated Basin Tap With Mains Power Supply

Product Code: MST

- Sensor operated hand wash tap.
- No touch operation for safe and hygienic hand washing.
- Chrome plated brass body.
- Downward angled spout to allow less water retention.
- Forward facing sensor window.
- 3 second turn off when hands removed.
- 13 second safety shut off - sensor needs to be re-triggered after 13 seconds of continuous use to prevent water waste.
- Single inlet for cold or pre-mixed water.
- WRAS approved.
- 1 year manufacturers warranty against defects.
- 35mm tap hole required.
- Supplied with solenoid valve and mains transformer - input 100-240V.
- Inline Y strainer or filter should be used to protect the solenoid from water borne debris.

Specification

- Minimum pressure required 0.5 Bar.
- Max water pressure 6 Bar.
- Max temperature 80 degrees C.
- Standard closing time 3 seconds.
- Spout height 90mm.
- Spout reach 110mm.

Delivery

- Usually 1 to 2 working days.

**All pictures shown are for illustration purpose only and may be subject to change without notice. Actual product may vary due to product enhancement.
 All dimensions shown are for guidance only and may be subject to change or alteration without notice. All items manufactured or purchased separately from a third party to fit our products should be checked against the actual dimensions of the physical product before purchase. We will not be liable for third party costs and consequential loss associated with the items not fitting third party components.**