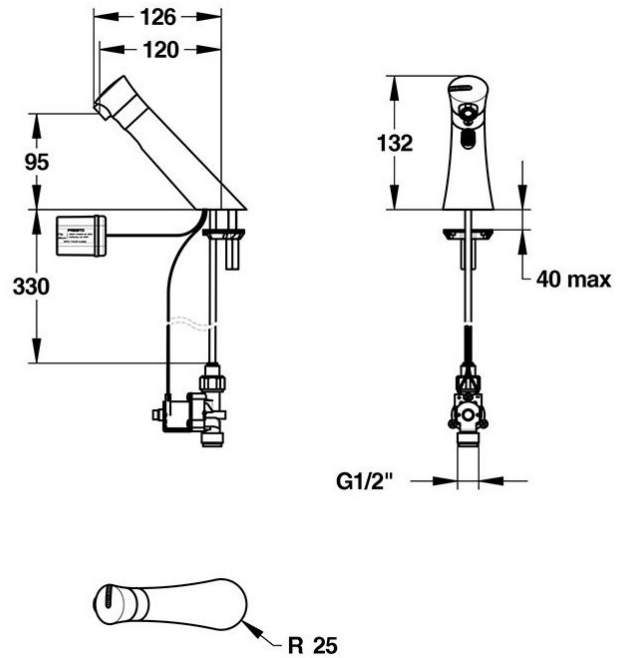


## Angled Sensor Tap - Battery Supply



Product Code: AST-B

### Infrared Angled Basin Tap With Battery Supply

Product Code: AST-B

- Sensor operated infrared angled basin tap with timed flow.
- The sensor area is set close to tap to prevent problems with reflections from basins triggering the water flow.
- 7 seconds run time after activation to resolve problem of sensor taps turning on and off if hands leave the sensor area.
- Chrome plated brass body.
- Flow rate limited to 1.9 litres per minute.
- High quality anti limescale aerator.
- Single supply for cold or premixed water.
- Lithium battery supplied - will last approx 3 years for normal use.
- Anti overflow security run time set to 30 seconds.
- Hygiene autoflush function set to run for 30 seconds 24 hours after last use.
- Tap hole size 27 to 40mm.
- WRAS approved.
- CE marked.
- 10 year warranty (excludes battery).

#### Water Pressure

- Min operating pressure required 1 Bar.
- Max static water pressure 5 Bar.

#### Flow Rates

Pressure (bar)	1	2	3	5
Flow rate (l/min)	1.4	1.6	1.9	1.9

#### Delivery

- In stock 1 to 2 working days.

#### Options

- [TMV3 mixing valve](#) (regulations state these should be fitted close to the tap and ideally one per tap).

#### Warranty

Warranty is 10 years from supply and is limited to replacement parts or a complete replacement tap. Water filters / Y strainers will need to have been fitted to comply with warranty. Diagnosis and fault finding will need to be undertaken over the phone with the manufacturers before replacement parts or complete taps are supplied. Warranty is strictly limited to parts / replacements and does not cover labour, time or any other consequential charges.

\*\*All pictures shown are for illustration purpose only and may be subject to change without notice. Actual product may vary due to product enhancement.  
 All dimensions shown are for guidance only and may be subject to change or alteration without notice. All items manufactured or purchased separately from a third party to fit our products

should be checked against the actual dimensions of the physical product before purchase. We will not be liable for third party costs and consequential loss associated with the items not fitting third party components.\*\*