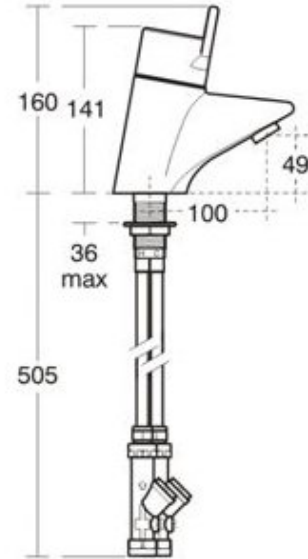


Contour 21 Sequential Lever Thermostatic Mixer



Product Code: ASH-LTM

Armitage Shanks Contour 21 Lever Operated TMV3 Thermostatic Mixer Tap

Product Code: LTM

- Contour 21 sequential lever operated thermostatic mixer tap.
- Monobloc mixer for use with one tap hole basins.
- TMV3 approved tap.
- Thermostatic control to provide safe temperature water without the risk of scalding.
- Chrome plated brass body.
- Copper tails for use in hospitals.
- WRAS approved.
- 35mm tap holes required.

Delivery

- Usually 4 to 6 working days.

All pictures shown are for illustration purpose only and may be subject to change without notice. Actual product may vary due to product enhancement. All dimensions shown are for guidance only and may be subject to change or alteration without notice. All items manufactured or purchased separately from a third party to fit our products should be checked against the actual dimensions of the physical product before purchase. We will not be liable for third party costs and consequential loss associated with the items not fitting third party components.