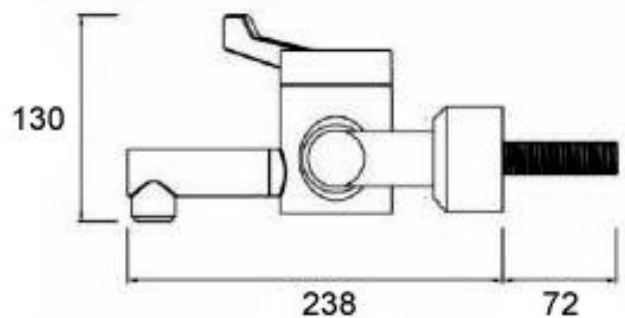
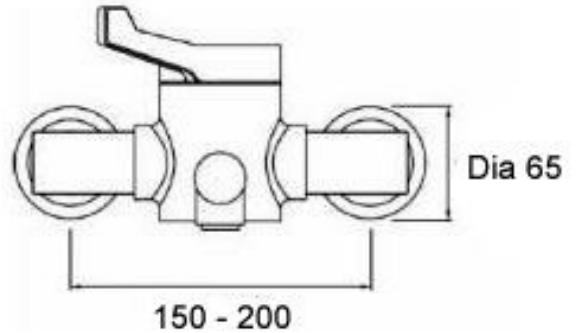


HTM64 Compliant Mixing Valve Tap



Product Code: 6761

Thermostatic TMV3 Mixing Valve Tap Wall Mounted

Product Code 6761

- Hospital lever operated thermostatic mixing valve tap with high polish chrome finish.
- Wall mounted model.
- NHS D08 compliant (formerly HTM64 type TB H2a and HBN 00-10 compliant).
- TMV3 approved.
- The tap has a safe touch surface temperature to guard against burns.
- Integral flushing system assists legionella control.
- Fully draining removable spout.
- Adjustable tap hole centres from 150mm to 200mm.
- Automatic thermostatic shut off in the event of hot or cold water supply failure.
- Long lever for wrist or elbow operation, 180 degree sequential action.
- Designed to comply with the NHS D08 and former HTM64 requirements for use in hospitals, healthcare and commercial applications.
- Incorporating a TMV3 compliant mixing valve.
- 22 mm tap holes with 150-250 mm centres required.

Temperatures

- Factory preset temperature: 43 degrees C.
- Maximum hot water supply temperature: 80 degrees C.

Pressures

- Maximum dynamic pressure: 5 bar.
- Maximum static pressure: 10 bar.

Delivery

- From stock usually 3 to 5 working days.

**All pictures shown are for illustration purpose only and may be subject to change without notice. Actual product may vary due to product enhancement.
 All dimensions shown are for guidance only and may be subject to change or alteration without notice. All items manufactured or purchased separately from a third party to fit our products should be checked against the actual dimensions of the physical product before purchase. We will not be liable for third party costs and consequential loss associated with the items not fitting third party components.**