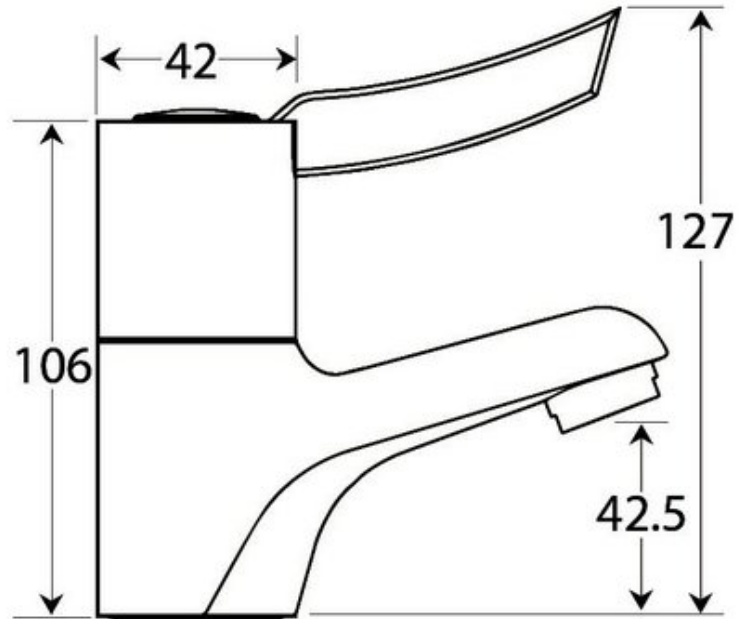


Sequential Lever Operated Monobloc Mixer Tap



Product Code: LMMT

Sequential Lever Monobloc Mixer Tap

Product Code: LMMT

- Chrome plated sequential lever mono bloc mixer tap.
- Sequential hot to cold operation.
- Fixed spout.
- Chrome plated brass body.
- Flexible hot and cold water supply pipes.
- Ceramic disc valve.
- Ideal for operation by less abled users, or areas where hygiene is important.
- 35mm tap hole required.
- WRAS approved.

Technical Specification

- Max Working Pressure: 6 Bar.
- Min Working Pressure: 0.2 Bar.
- Recommended Operating Range: 2 to 5 Bar.
- Flow rate at 1 Bar: 7 litres per minute.
- Inlet Connections: 1/2" flexible tails.

Delivery

- From stock usually 1 to 2 working days.

All pictures shown are for illustration purpose only and may be subject to change without notice. Actual product may vary due to product enhancement. All dimensions shown are for guidance only and may be subject to change or alteration without notice. All items manufactured or purchased separately from a third party to fit our products should be checked against the actual dimensions of the physical product before purchase. We will not be liable for third party costs and consequential loss associated with the items not fitting third party components.