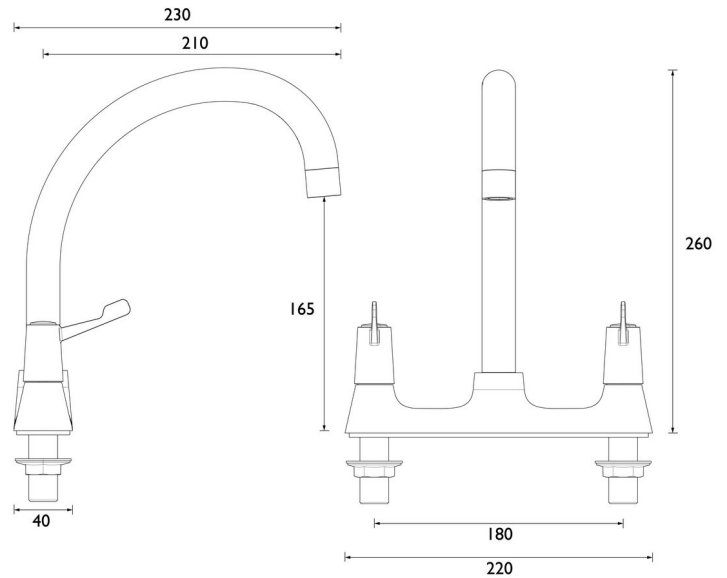


Lever Operated Deck Mixer Tap



Product Code: LDMT

Hot And Cold Lever Deck Mixer Tap

Product Code: LDMT

- Chrome plated lever operated deck mixer tap.
- Two quarter turn levers for separate hot and cold.
- Swivel spout.
- 3" (77mm) chrome plated metal levers.
- Chrome plated brass body.
- Quarter turn ceramic disc valves.
- Copper tails.
- Metal back nut.
- WRAS approved.
- 1 years manufacturers warranty against defects.
- 2 x 22 mm tap holes required at 180 mm centres.

Delivery

- Usually 1 to 2 working days.

All pictures shown are for illustration purpose only and may be subject to change without notice. Actual product may vary due to product enhancement. All dimensions shown are for guidance only and may be subject to change or alteration without notice. All items manufactured or purchased separately from a third party to fit our products should be checked against the actual dimensions of the physical product before purchase. We will not be liable for third party costs and consequential loss associated with the items not fitting third party components.